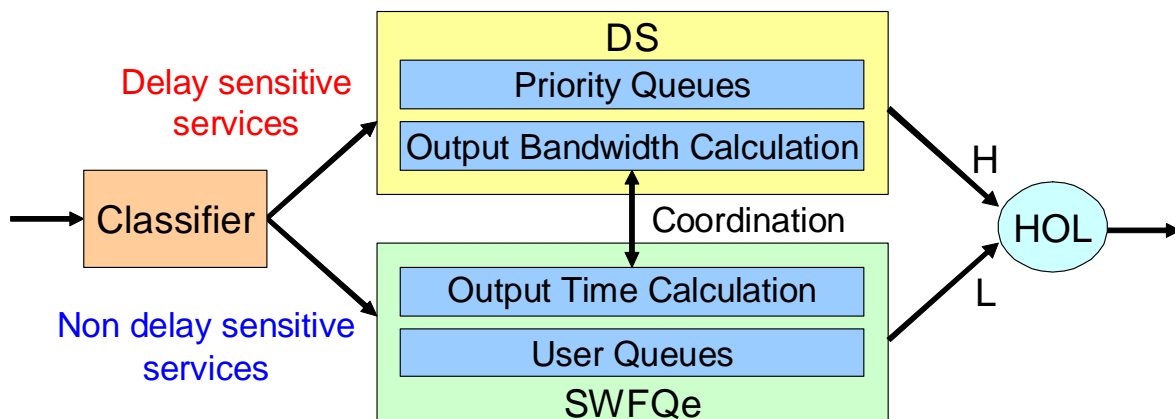


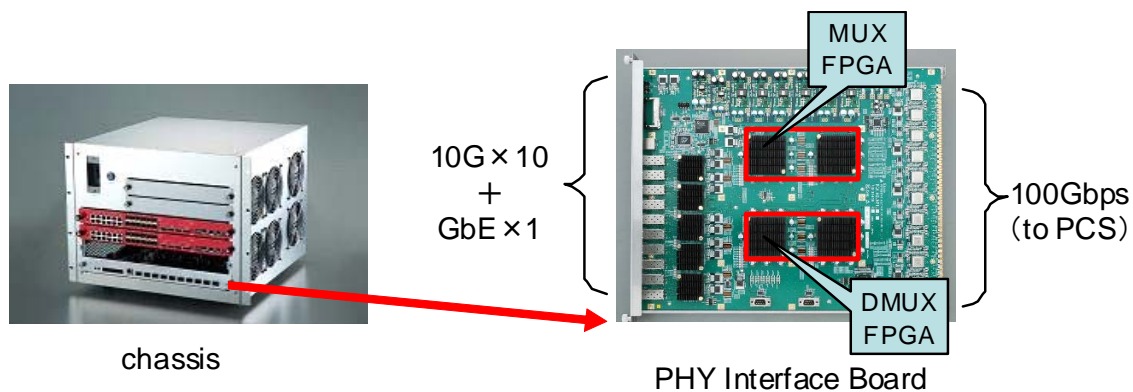
High Speed Packet Aggregation Technology

— DS-SWFQe* Scheduling Algorithm —

- DS-SWFQe is applied for Layer 2 and 3 Switches to aggregate a large number of flows for high speed interfaces.
- Features :
 - Guarantee both minimum bandwidth per user and small latency for delay sensitive services
 - Small hardware circuit size less than 1/30 compared to conventional WFQ
 - Low power consumption by reducing clock rate
- * Delay Sensitive - Simplified Weighted Fair Queuing enhancement



DS: Delay Sensitive, SWFQe: Simplified Weighted Fair Queuing enhancement, HOL: Head of the Line scheduling
DS-SWFQe Configuration



DS-SWFQe Evaluation Board