

Compact, Ultra-Low Delay MPEG2 Encoder

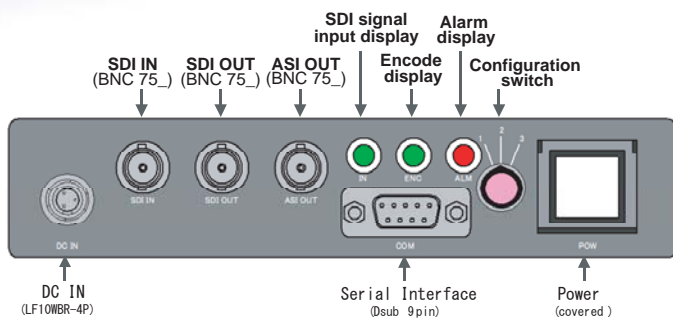
HD c3000e



- HD c3000e is an HD (High Definition)-compatible MPEG2 encoder equipped with a compact and light ultra-low delay MPEG2 encoder core, which can be attached to a wireless HD relay camera.

Compact _ Height: 35 mm
 Width: 160 mm
 Depth: 160 mm (L)
 Lightweight _ 700 g or less (L)
 Ultra-low delay _ Approximately 10 msec

Figures do not include protrusions and V-shaped holder.



The ultra-compact HD c3000e can be integrated with an HD camera using a commercial V-shaped holder.

Key Features

- ✔ Industry' s first, compact, lightweight and power-saving design.
- ✔ Delay through the encoder and the decoder is only 10 msec.
- ✔ The case is made of material with high thermal conductivity and employs a fan-less, drip-proof and dust-proof design.
- ✔ Up to three sets of configuration files can be memorized.
- ✔ HD c3000e can be mounted to a camera using a detachable commercial V-shaped holder.

This product is can be customized to requested specifications. Please feel free to contact our sales group about the details of the product.



項目		仕様
Video	Input	HD-SDI (SMPTE292M) SD-SDI (SMPTE259M)
	Encoding Scheme	MPEG-2 Video (ISO/IEC13818-2)
	GOP Structure	I only, P only
	Cross Format	4 : 2 : 2, 4 : 2 : 0
	Video Format	1080/59.94i, 720/59.94p, 480/59.94i
	Profile Level	HD : MPEG-2 MP@HL, 422P@HL, MP@H14L SD : MPEG-2 MP@ML, 422P@ML
	Encoding Control Mode	CBR
Audio	Scheme	SDI-Embedded
	Number of Channels	2ch, 4ch, 6ch, 8ch
	Signal Format	SMPTE302 (LPCM) LPCM sampling frequency: 48KHz 16bit, 20bit, 24bit
Multiplexing	Stream Format	MPEG-2 TS
	Output	DVB-ASI
	Video bit rate	Max 190Mbps
	Audio bit rate	Max 11Mbps (at 24bit/8ch)
CODEC	Delay*	1080i, 720P : Approx. 10ms
Control	External Control	GUI screen on PC
	Power	Power Input
Power	Power consumption	25W or less (without fan)
	Other	Operating Temperature *2
Other	Out dimension	160 x 160 x 35 (mm) (Not include protrusions)
	Weight	700g or less

*1A: Only using HLD-2000D manufactured by IBEX Technology Co. Although the HD c3000e encoder will operate normally with other decoders, delay time will be longer than the above specifications. NOTE: The specifications of this product are subject to change without prior notice.

販売代理店

ASI to IP Video Gateway

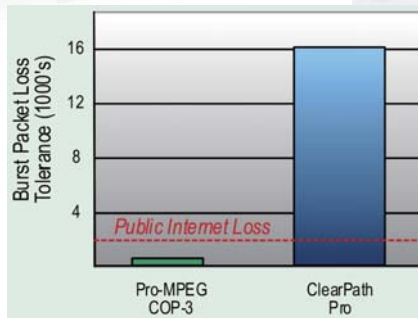


Vx8000

- Cutting-Edge IP Video Transport
- Perfect Video Quality
- Flexible Output Configurations
- Flexible & Cost-Effective Solution

The Vx8000 is an IP video gateway that transports real-time broadcast-quality digital video over public and private IP networks.

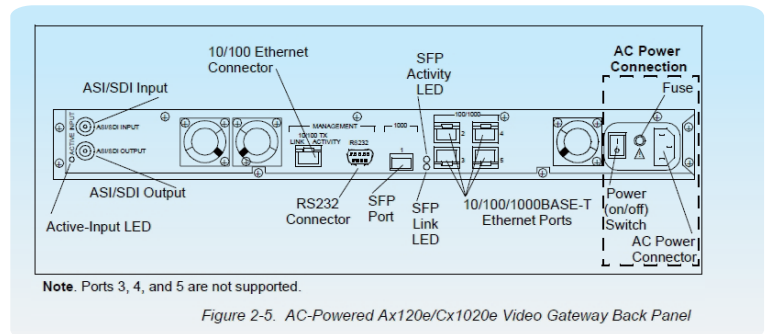
H 1.75 inches
 W 17.25 inches
 D 17.5 inches



Ax120e

The Ax120 is an IP video gateway that transports compressed ASI video over IP.

- Cutting-Edge IP Video Transport
- Perfect Video Quality
- Flexible Output Configurations
- Flexible & Cost-Effective Solution



Cx1020

- Cutting-Edge IP Video Transport
- Robust Error Protection
- ClearPath Pro
- Flexible & Cost-Effective Solution

The Cx1020 is an IP video gateway that transports uncompressed 270 Mbps SDI/SDTI video over IP.

Digital Video Interfaces

Input Port Type: DVB-ASI (SMPTE 259M)
 Output Port Type: DVB-ASI (SMPTE 259M)
 Connector: Female BNC
 Formats: MPEG-2 transport stream (188 / 204 byte) carrying MPEG-2, MPEG-4 (H.264) or VC-1 compressed video
 Bitrate: Up to 100 Mbps

Network Interface

Type: One 10/100 Fast Ethernet interface
 Connector: RJ-45 (1000 BaseT)
 Protocols: IEEE802.3 Ethernet, RIP, ARP, IPv4, IGMP v2/3, TCP/UDP
 Bitrate: Up to 100 Mbps

Processing

Clock Recovery: Patent-pending fast, adaptive clock acquisition and synchronization
 Forward Error Correction (FEC): Path 1 ClearPath supporting two methods of FEC operations: Double FEC and Partial FEC.
 Multicast Support: Supports Multicast send and receive using IGMP version 2

Front Panel

Display: 2 lines by 24 characters
 Interface: 12 numeric and 5 navigational keys
 Indicators: 4 LEDs: power, activity, fault, log

Chassis Specifications

Rack Size: 1 RU
 Height: 1.75 inches
 Width: 17.25 inches
 Depth: 17.5 inches
 Weight: 17 pounds

Environmental Specifications

Operating Temperature: 32 to 131 F (0 to 50 C)
 Operating Humidity: 10% to 95% non-condensing
 Storage Temperature: 14 to 158 F (-10 to 70 C)
 Certifications: CE, UL and FCC certified

Electrical

Input Voltage: 100–240 VAC, 50-60 Hz
 0.5 Amps
 -48V DC optional

販売代理店



株式会社 新業

〒150-0043 東京都渋谷区道玄坂1-12-1 渋谷マークシティ W22F
 e-mail: info@big-frontiers.co.jp http://www.big-frontiers.co.jp/
 TEL: 03-4360-5446 FAX: 03-4360-5301